

DC Solid State Relay



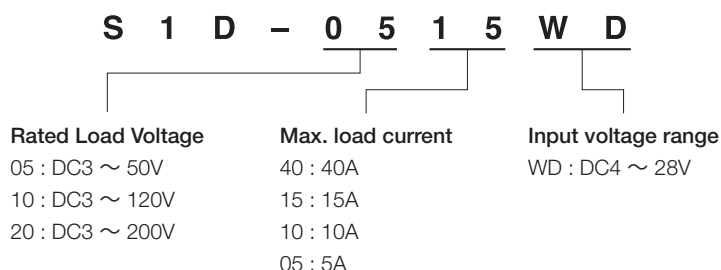
S1D SERIES



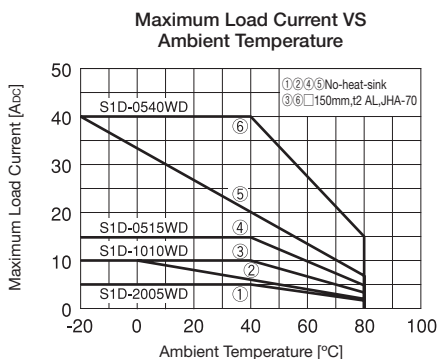
Features

- SSR for DC load
- Max. load current at 5A, 10A, 15A, 40A
- Dielectric strength between input and output at 2,500V/1 min.
- MOS FET type
- Optional safety cover available (P88)
- Optional heat-sink available (P88)

Type Information

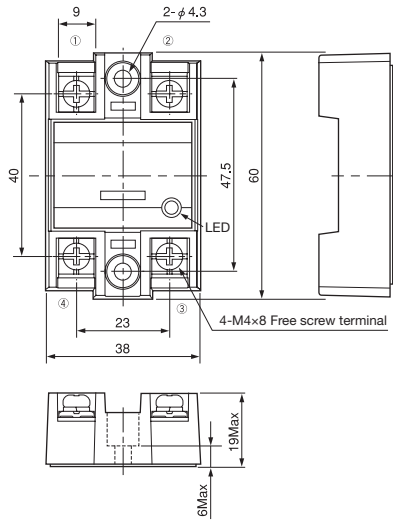


Characteristics



※ Description in the catalogue is subject to change without notice. Please read the specifications thoroughly before using.
 ※ Please contact JEL SYSTEM for further information.

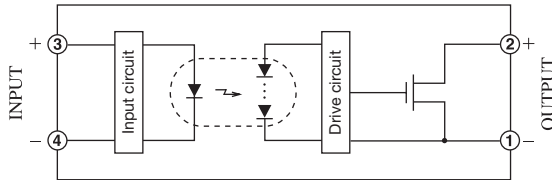
Dimensions (mm)



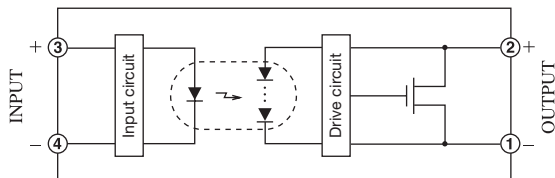
- ※ Torque range
- Output terminal 1.5 N·m (MAX)
- Input terminal 1.5 N·m (MAX)
- Outer case 1.5 N·m (MAX)

Equivalent Circuit

S1D-0515WD、S1D-1010WD、S1D-2005WD



S1D-0540WD



※ Description in the catalogue is subject to change without notice. Please read the specifications thoroughly before using.
 ※ Please contact JEL SYSTEM for further information.

■ Ratings

(Ta = 25 °C)

	Item	Symbols	S1D-0515WD	S1D-0540WD	S1D-1010WD	S1D-2005WD	Units
Output	Maximum Load Voltage	V _{OMAX}	60		150	200	V _{DC}
	Load Voltage Range	Pure DC	3~50		3~120	3~200	V _{DC}
		Bridge Rectification	35		100	140	V _{rms}
	Maximum Load Current	I _{OMIN}	15	40	10	5	A _{DC} /A _{rms}
Surge Current Ratings		I _{SURGE}	50 (1sec)	120 (1sec)	25 (1sec)	10 (1sec)	A
Input	Maximum Input Voltage	V _{IMAX}	28				V _{DC}
	Maximum Input Current	I _{IMAX}	20				mA _{DC}
General	Dielectric Strength	V _{ISO}	2,500/1min.(Between input-output-case)				V _{ACrms}
	Isolation Resistance	R _{ISO}	10 ⁸ and above DC500V(Between input-output-case)				Ω
	Operating Temperature Range	T _{OPR}	- 20 ~ + 80				°C
	Storage Temperature Range	T _{STG}	- 30 ~ + 100				°C

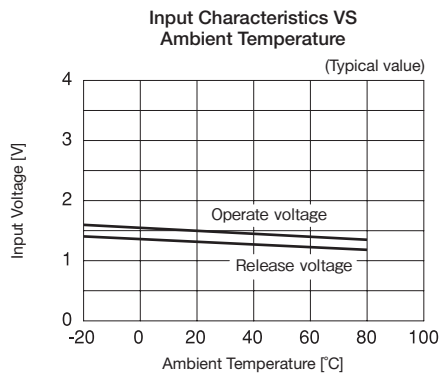
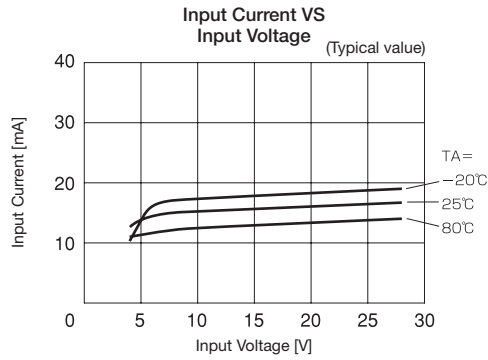
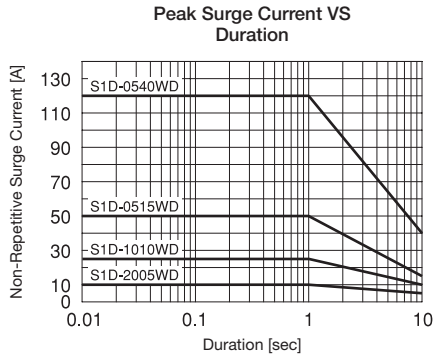
■ Electrical Characteristics

(Ta = 25 °C)

	Item	Symbols	S1D-0515WD	S1D-0540WD	S1D-1010WD	S1D-2005WD	Units
Output	Off State Leakage Current	I _{LEK}	0.1 and below (V _o =50V)		0.1 and below (V _o =120V)	0.1 and below (V _o =200V)	mA _{DC}
	On State Voltage Drop	V _{SAT}	0.5 and below		1.5 and below	1.5 and below	V _{DC}
	Minimum Load Current	I _{OMIN}	0.1				mA
Input	Input Voltage Range	V _I	4~28				V _{DC}
	Operate Voltage	V _P	4 and below				V _{DC}
	Release Voltage	V _D	1 and above				V _{DC}
General	Operate Time	T _{ON}	5ms and below (Resistance load)	1ms and below (Resistance load)	5ms and below (Resistance load)		
	Release Time	T _{OFF}	5ms and below (Resistance load)	1ms and below (Resistance load)	5ms and below (Resistance load)		
	Capacitance	C _{IO}	150 and below				PF

※ Description in the catalogue is subject to change without notice. Please read the specifications thoroughly before using.

※ Please contact JEL SYSTEM for further information.



※ Description in the catalogue is subject to change without notice. Please read the specifications thoroughly before using.
 ※ Please contact JEL SYSTEM for further information.

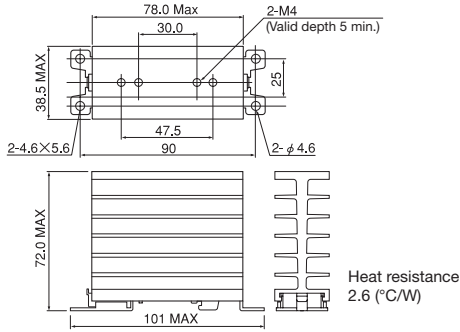
S1D-0515WD, S1D-0540WD, S1D-1010WD, S1D-2005WD

Option

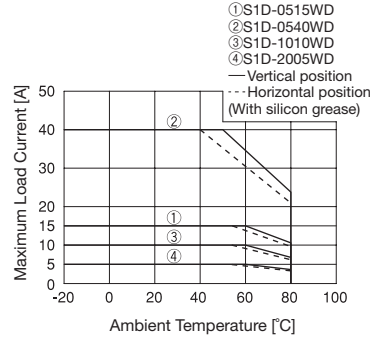
Heat-sink

Model	JHC-38-1
SUITABLE SSR	S1D Series

● Dimensions

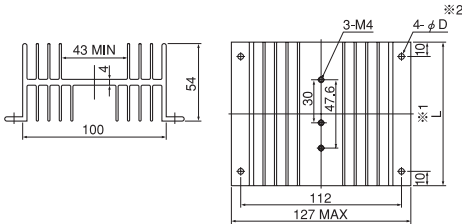


● Maximum Load Current VS Ambient Temperature



Model	JHA-□□□
SUITABLE SSR	S1D Series

● Dimensions

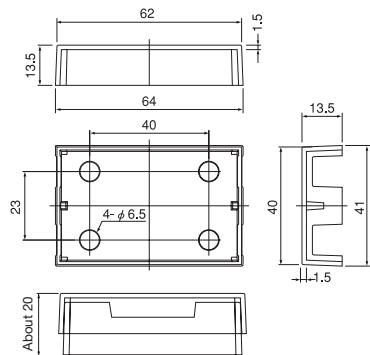


Model	Heat Resistance (°C/W)	※1 L (mm) Dimensions	※2 D (mm) Dimensions
JHA-70	1.52	70	4
JHA-100	1.14	100	4
JHA-150	1.00	150	4.5
JHA-200	0.85	200	4

Safety cover

Model	CV-S101
SUITABLE SSR	S1D Series

● Dimensions



※ Description in the catalogue is subject to change without notice. Please read the specifications thoroughly before using.

※ Please contact JEL SYSTEM for further information.