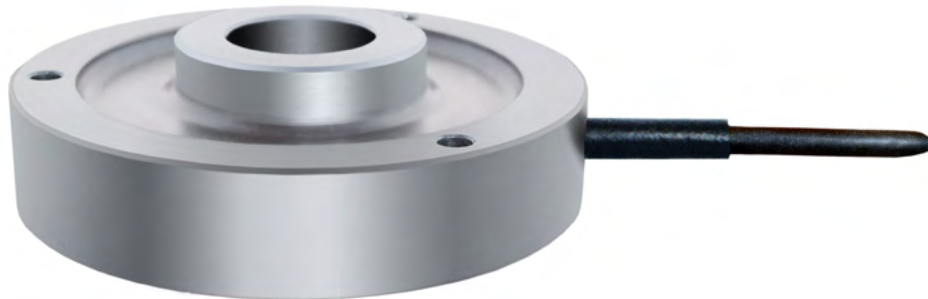


Compression Force Sensor K-2528 with Nominal Force from 0.2 ... 10 kN



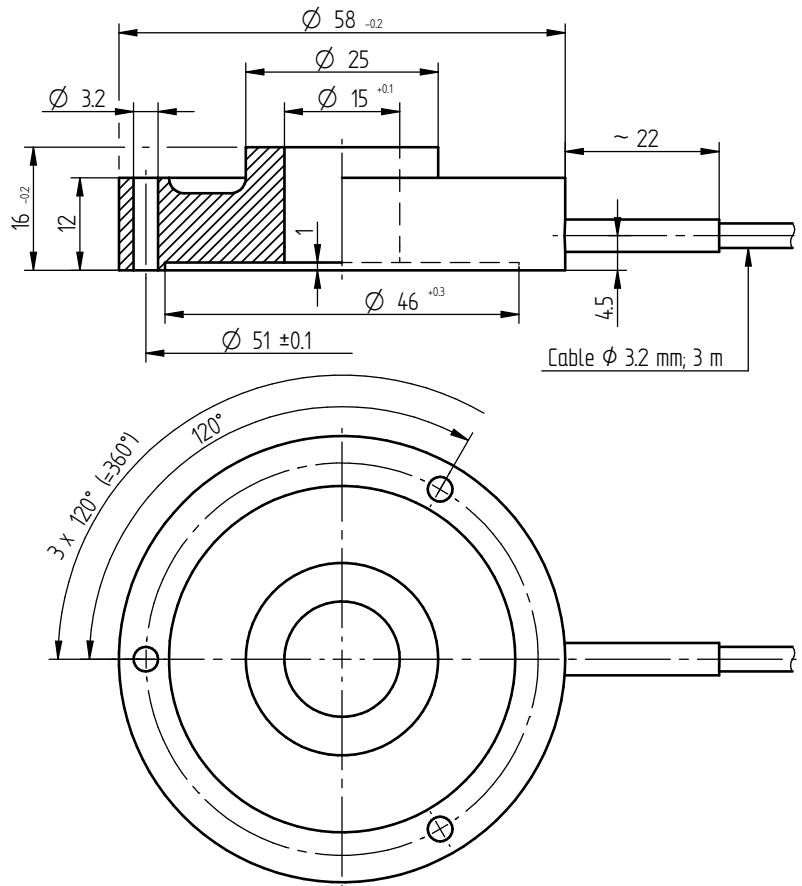
Performance Features

- Compression force sensor for press-in force measuring
- Low cost sensor
- Aluminum
- Long-term stability
- Simple handling and assembly
- Special versions on request

Application

- Equipment engineering
- Automotive industry
- Measuring and control devices
- Fully automated machining centres
- Tool engineering
- Special mechanical engineering

Dimensions of K-2528 in mm



Article-No.	Nominal Force [kN]	Weight [kg]
109142	0.2	0.2
109143	0.5	
109144	1	
109145	2	
109146	5	
109147	10	

Pin Connection

Electrical connection

Excitation (-)	green	●
Excitation (+)	brown	●
Signal (+)	yellow	●
Signal (-)	white	○
Control signal (option)	grey	●
Shield	shield	⊥

Technical Data acc. to VDI/VDE/DKD 2638

Compression Force Sensor K-2528 with Through Hole

Nominal force F_{nom}	kN	0.2	0.5	1	2	5	10
Accuracy class	% F_{nom}	1					
Rel. repeatability error in unchanged mounting position b_{rg}	% F_{nom}	0.3					
Relative creep	% $F_{nom}/30 \text{ min}$	< ± 0.1					
Rated characteristic value C_{nom}	mV/V	1.00 $\pm 20\%$					
Input/output resistance R_e/R_a	Ω	350					
Insulation resistance R_{is}	Ω	> $2 \cdot 10^9$					
Rated range of excitation voltage $B_{U, nom}$	V	2 ... 12					
Electrical connection		Cable, PURS, 3 m with free strands					
Reference temperature T_{ref}	$^{\circ}\text{C}$	23					
Rated temperature range $B_{T, nom}$	$^{\circ}\text{C}$	0 ... 60					
Operating temperature range $B_{T, G}$	$^{\circ}\text{C}$	-10 ... 70					
Storage temperature range $B_{T, S}$	$^{\circ}\text{C}$	-30 ... 95					
Temperature effect on zero signal TK_0	% $F_{nom}/10 \text{ K}$	± 0.2					
Temperature effect on characteristic value TK_C	% $F_{nom}/10 \text{ K}$	± 0.2					
Maximum operating force F_G	% F_{nom}	130					
Force limit F_L	% F_{nom}	150					
Breaking force F_B	% F_{nom}	>300					
Permissible oscillation stress F_{rb}	% F_{nom}	70					
Rated displacement S_{nom}	mm	<0.15					
Material		Aluminum					
Level of protection		IP60					

Options

Article-No.	Description	
100218	Control signal	100 % F_{nom}
100896	Nominal sensitivity adjustment	
42828	Extended temperature range	-30 $^{\circ}\text{C}$... 100 $^{\circ}\text{C}$
103954	Calibration in kg or t	
107592	6-wire connection	

Calibrations

Article-No.	Description	
400628	Linearity diagram in accordance to factory standard	25 % steps
400170	Linearity diagram in accordance to factory standard	10% steps
400960	Proprietary calibration acc. to DIN EN ISO 376 and DAkKS-DKD-R 3-3	3 steps
400652	Proprietary calibration acc. to DIN EN ISO 376 and DAkKS-DKD-R 3-3	5 steps
400640	Proprietary calibration acc. to DIN EN ISO 376 and DAkKS-DKD-R 3-3	8 steps
	DAkKS-Calibration / Standard on request	

Accessories

Cable and input connector

Article-No.	Description
10323	Cable connector KS6 (6-pin series 581) incl. sensor mounting
10320	Cable connector KSSH15 (15-pin) incl. sensor mounting
43418	Input connector ZA9612FS (ALMEMO) incl. sensor mounting and connector calibration
49205	Input connector ZKD712FS (ALMEMO 202) incl. sensor mounting and connector calibration

Amplifiers

Examples of suitable amplifiers for compression force sensor K-2528:

LCV	SI-USB	GM 40	GM 80	GM 80-PA
				

Further suitable amplifiers you can find on our homepage under www.lorenz-messtechnik.de.