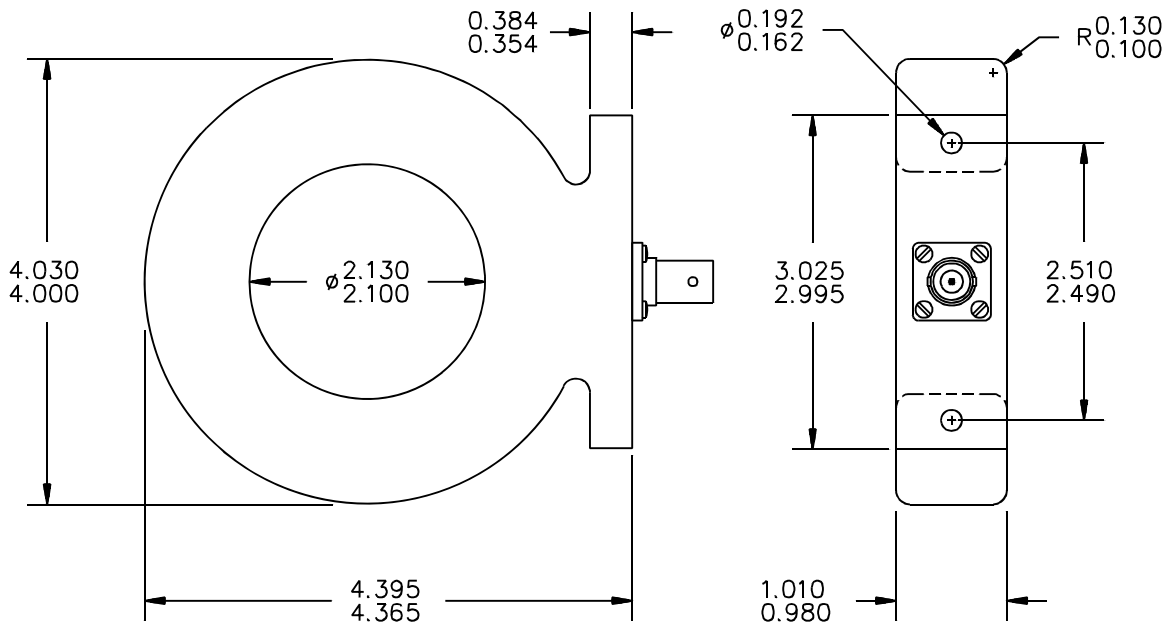


PEARSON™ CURRENT MONITOR MODEL 101

Sensitivity	0.01 Volt/Ampere +1/-0%
Output resistance	50 Ohms
Maximum peak current	50000 Amperes
Maximum rms current	200 Amperes
Droop rate	0.1 %/millisecond
Useable rise time	100 nanoseconds
Current time product	2.5 Ampere-second maximum*
Low frequency 3dB cut-off	0.25 Hz (approximate)
High frequency 3dB cut-off	4 MHz (approximate)
I/f figure	12 peak Amperes/Hz
Output connector	BNC (UG-290A/U)
Operating temperature	0 to 65 °C
Weight	23 ounces

* Maximum current-time product can be obtained by using core-reset bias as described in the *Application Notes*.
0.8 Ampere-second is typical without bias.

© 1999 Pearson Electronics, Inc. 101.SPX_990506



Pearson Electronics, Inc. • 4009 Transport Street • Palo Alto, CA 94303
Telephone 650-494-6444 • FAX 650-494-6716 • www.pearsonelectronics.com

擎罡實業有限公司 23552 台北縣中和市中正路716號3樓之4 (遠東世紀廣場 L棟)
Tope Co., Ltd. Tel: (02) 8228-0658 * Fax: (02) 8228-0659 * e-mail: tope@ms1.hinet.net * <http://www.sensor.tw>