

- ▶ Universal amplifier for all MICROmote sensors*
- ▶ Adjustable at the touch of a button (auto-teach or manual sensitivity setting)
- ▶ Selectable pulse stretching 50ms (switchable)
- ▶ Light/dark switching
- ▶ Available in PNP or NPN version



**SWITCHING AMPLIFIER V9
with auto-teach**

*excepting nanoSPOT

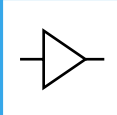
▶ TECHNICAL DATA

MODEL	V9-A		V9-B		V9-F	
Output	PNP	NPN	PNP	NPN	PNP	NPN
Frequency response	5kHz		500Hz		3kHz	
max. Response time	180µs		1,1ms		270µs	
Current consumption (average/peak)	45mA / 45mA		40mA / 180mA		40mA / 90mA	
max. Sensing distance*	33%		100%		33%	
Power supply indicator/Signal stability	LED green					
Functional principle	continuous light**		pulsed			
Output status indicator/Signal strength	LED yellow					
Pulse stretching (Off-Delay)	0 / 50ms (selectable)					
Operating voltage	10 to 30 VDC (max.), reverse polarity protection					
Output current	100mA, short circuit proof, reverse polarity protection					
Weight	55g					
Housing material	ABS					
Operating temperature	-10°C to +55°C					
Protection class	IP65					
Power supply cable (standard)	2m PVC-cable 3 x 0,14mm ²					
Optional with plug in supply***	M8, 4pin					

* percentage of max. sensor rating (see individual sensor datasheet)

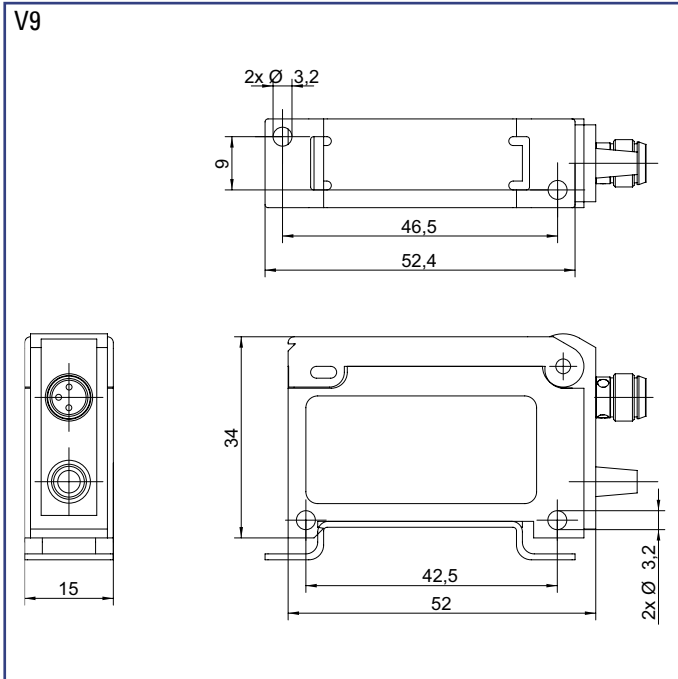
** may be influenced by ambient light

*** cable to be ordered separately



V9-A | V9-B | V9-F

DIMENSIONS Measurements in mm. Subject to technical change.



PIN CONNECTION

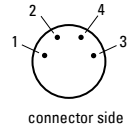
supply

standard -00 :

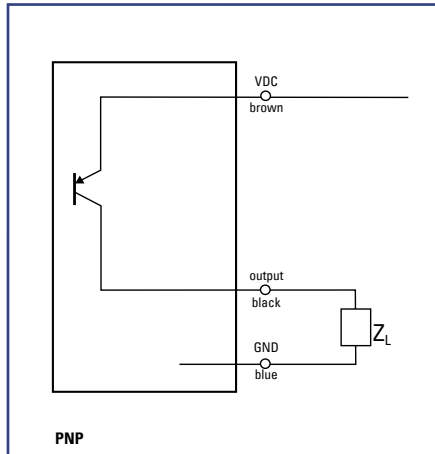
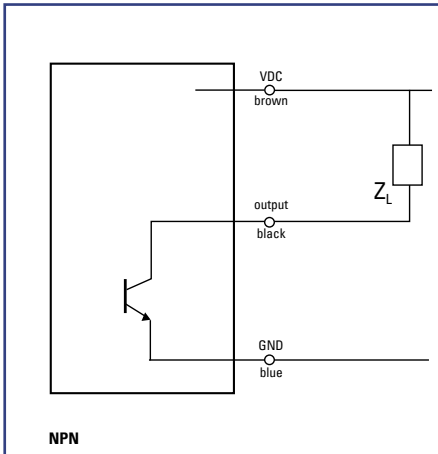
PVC-cable, 3pin, 2m
 brown + VDC
 blue - GND
 black signal output

option -01:

connector M8, 4pin
 1 (brown) + VDC
 2 (white) not connected
 3 (blue) - GND
 4 (black) signal output



CONNECTION DIAGRAM



PART DESIGNATION

Model -

output
 P : PNP
 N : NPN

sensor connection
 0 : M8, 3pin
 special model available on request

supply*
 0 : PVC-cable, 5pin, 2m
 1 : M8, 4pin

ORDER EXAMPLE **V9-AP - 01** = amplifier V9-5kHz PNP - sensor M8, 3pin supply M8, 4pin

* Please do not forget to order the appropriate supply cable (see accessories).