

- ▶ Universal amplifier for all MICROmote sensors*
- ▶ Standard resolution or high resolution selectable
- ▶ Sensitivity setting via 3-channel potentiometer without stop
- ▶ Selectable pulse stretching 50ms (switchable)
- ▶ Light/dark switching
- ▶ PNP or NPN in the same device



**SWITCHING AMPLIFIER V91
with potentiometer**

*excepting nanoSPOT

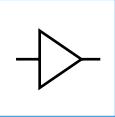
▶ TECHNICAL DATA

MODEL	V91-A	V91-B	V91-F
Output	PNP and NPN		
Functional principle	continuous light*	pulsed	
max. Response time	70µs	1,1ms	200µs
Current consumption (average/peak)	40mA/45mA	40mA/200mA	40mA/120mA
max. Sensing distance**	50%	100%	50%
Frequency response	10kHz	500Hz	3kHz
Power supply indicator/Signal stability	LED green		
Output status indicator/Signal strength	LED yellow		
Pulse stretching	0 / 50ms - Off-Delay 50ms On-Delay (selectable)		
Operating voltage	10...30 VDC (max.) reverse polarity protection		
Output current	100mA, short circuit proof, reverse polarity protection		
Weight	55g		
Housing material	ABS		
Operating temperature	-10°C to +55°C		
Protection class	IP65		
Power supply cable (standard)	2m PVC-cable 4 x 0,14mm ²		
Optional with plug in supply***	M8, 4pin		

* percentage of max. sensor rating (see individual sensor datasheet)

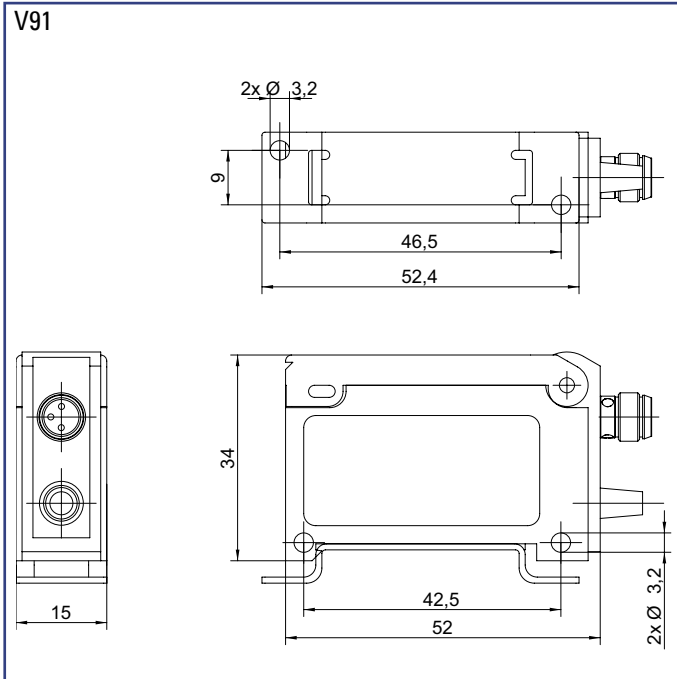
** may be influenced by ambient light

*** cable to be ordered separately



V91-A | V91-B | V91-F

DIMENSIONS Measurements in mm. Subject to technical change.

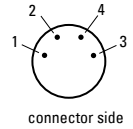


PIN CONNECTION

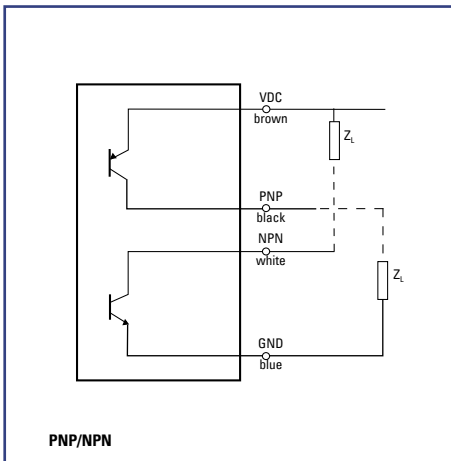
supply

standard -00 : PVC-cable, 4pin, 2m
 brown + VDC
 white NPN-signal output
 blue - GND
 black PNP signal output

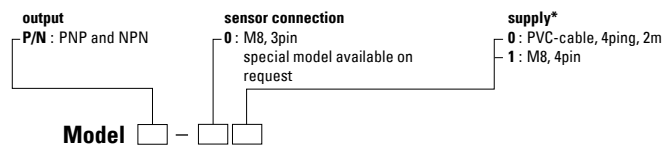
option -01: connector M8, 4pin
 1 (brown) + VDC
 2 (white) NPN-signal output
 3 (blue) - GND
 4 (black) PNP-signal output



CONNECTION DIAGRAM



PART DESIGNATION



ORDER EXAMPLE

V91-A P/N - 0 1 = amplifier V91-10kHz PNP and NPN - sensor M8, 3pin supply M8, 4pin

* Please do not forget to order the appropriate power supply cable (see accessories).