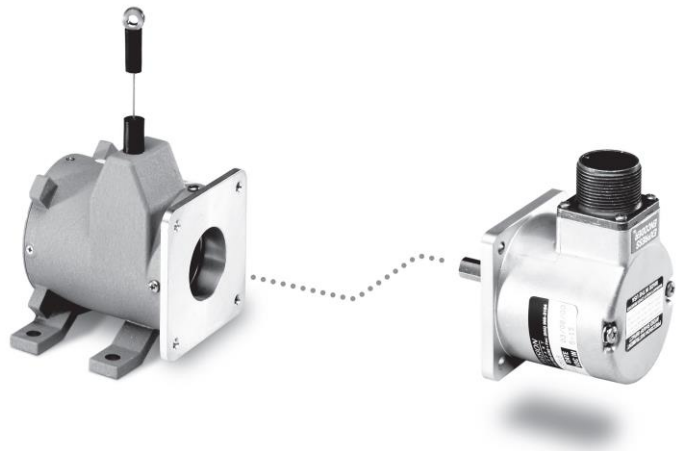


Our unique linear-to-rotational, industrial-grade string encoder module mates to virtually any encoder giving you a cost-effective linear position measurement solution that precisely fits your requirements. The PT8600 takes just minutes to install, fits easily into tight areas and does not require perfectly parallel alignment. To order, simply select the stroke range, the cable tension and the mounting style that matches your encoder.

If you want us to provide the encoder or you don't see the mounting style you need, please give us a call.

PT8600 String Encoder

Converts ANY Rotary Encoder to a Linear Position Sensor
Linear Stroke Range up to 50 inches (1250 mm)
Mates Virtually ANY Customer Supplied Encoder
Factory Supplied Encoder Available



Full Stroke Range Options

English Ranges 0-25, 0-50 in.
Metric Ranges 0-625, 0-1250 mm

Motion Conversion Ratio

English Ranges 5 inches per turn, see ordering information
Metric Ranges 125 mm per turn, see ordering information

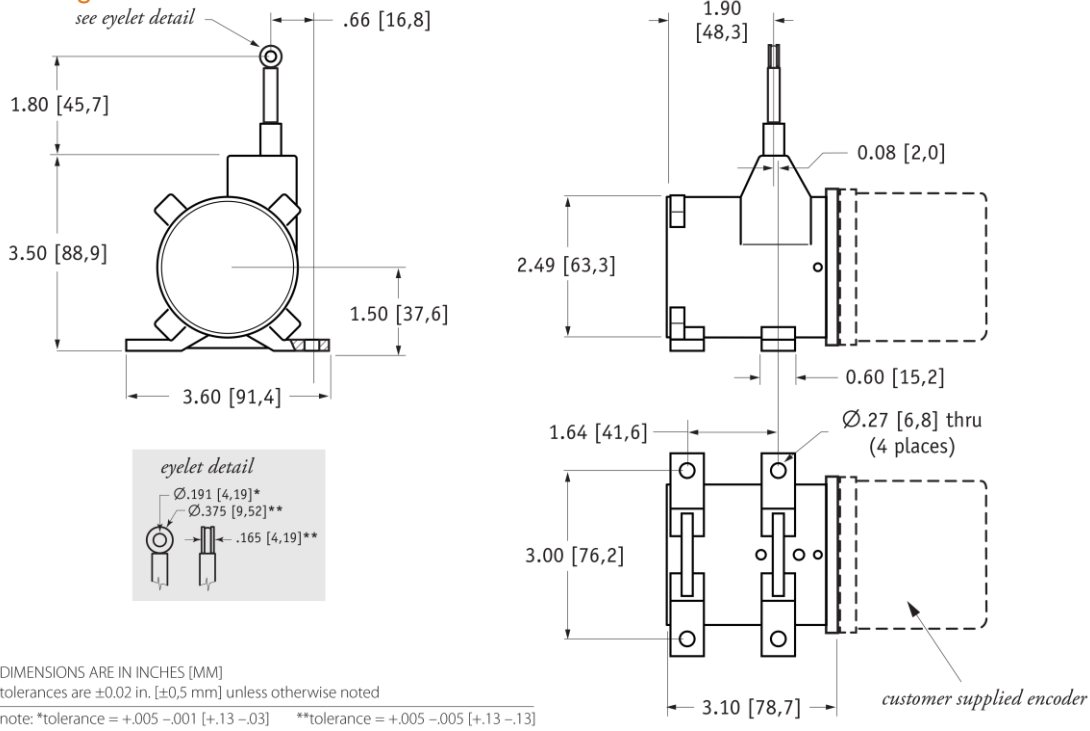
General

Accuracy $\pm 0.04\%$ full stroke, contact factory for better accuracy
Measuring Cable Options see ordering information
Module Material powder-painted aluminum
Maximum Allowable Rotational Sensor Torque 1.0 in-lbs.
Weight 3 lbs. max.

Environmental

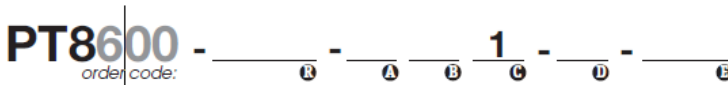
Operating Temperature -40° to 200°F (-40° to 90°C)

Outline Drawing



Ordering Information

Model Number:



Sample Model Number:

PT8600 - 0025 - 111 - BR - F01

- R** range: 25 inches
- A** measuring cable tension: standard (12 oz.)
- B** measuring cable: .034 nylon-coated stainless cable brush
- D** cable guide option: cable brush
- E** rotational sensor mounting style: F01 (2.5-in. sq. flange)

» Trying to reorder but can't find your existing model number? Please contact factory for help.

Full Stroke Range:

| R order code: | 0025 | 0050 | 0625 | 1250 |
|-------------------------|-------------|-------------|-------------|-------------|
| full stroke range, min: | 25 in. | 50 in. | 625 mm | 1250 mm |

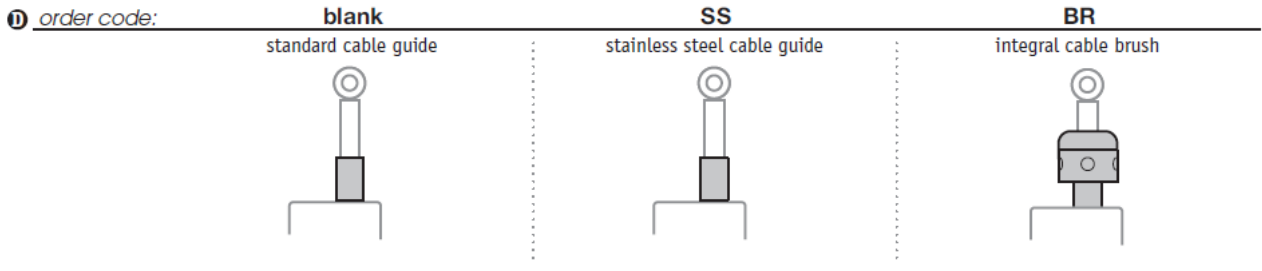
Measuring Cable Tension:

| A order code: | 1 | 2 |
|----------------------|--------------------------------|---------------------------------|
| cable tension (±50%) | standard tension | high tension |
| 25, 50-inch ranges: | 17 oz. [5 g max. acceleration] | 50 oz. [15 g max. acceleration] |
| 625, 1250-mm ranges: | 4,2 N [8 g max. acceleration] | 13,9 N [30 g max. acceleration] |

Measuring Cable:

| B order code: | 1 | 2 | 4 |
|----------------------|--|--------------------------------------|--------------------------------------|
| cable construction: | Ø.034-inch nylon-coated stainless steel rope | Ø.047-inch bare stainless steel rope | Ø.031-inch bare stainless steel rope |
| available ranges: | all ranges | 25 inch & 625 mm only | 50 inch & 1250 mm only |
| general use: | indoor | outdoor, debris, high temperature | outdoor, debris, high temperature |
| conversion ratio { | english ranges: | 1 turn = 5.000 ± 0.0094 in. | 1 turn = 4.990 ± 0.0094 in. |
| | metric ranges: | 1 turn = 125,001 ± 0,2394 mm | 1 turn = 124,762 ± 0,2394 mm |

Cable Guide Options:

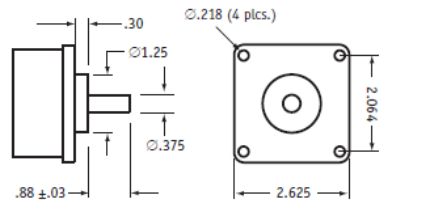


Rotational Sensor Mounting Style:

| ② order code: | F01 | F02 | S01 | S02 | S04 |
|---------------|--|--------------------------------------|--|---|---|
| | 2.5-in. Flange Mount 3/8-inch shaft | 2-in. Flange Mount 3/8-inch shaft | Face-Mount 6 mm shaft M4 mounting screws | Face-Mount 10 mm shaft M4 mounting screws | Face-Mount 10 mm shaft M3 mounting screws |

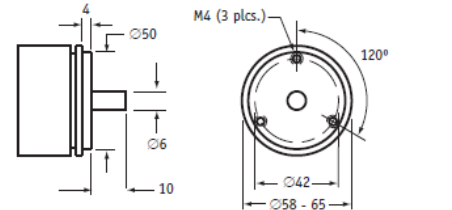
Note: If you don't see your encoder style, please contact factory. All encoder types supported.

F01 - 2½-inch Sq. Flange Mount (3/8-inch shaft)



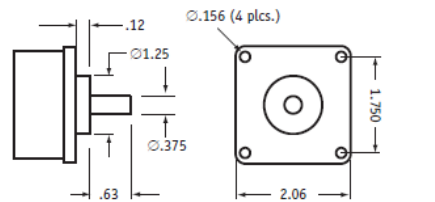
all dimensions are in inches

S01 - Face-Mount (6mm shaft/M4 screws)



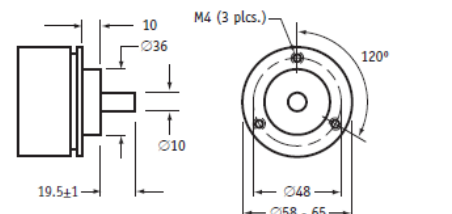
all dimensions are in mm

F02 - 2-inch Sq. Flange Mount (3/8-inch shaft)



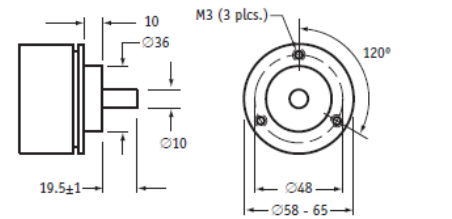
all dimensions are in inches

S02 - Face-Mount (10mm shaft/M4 screws)



all dimensions are in mm

S04 - Face-Mount (10mm shaft/M3 screws)



all dimensions are in mm

PT8600

String Encoder

NORTH AMERICA

Measurement Specialties, Inc.,
a TE Connectivity company
20630 Plummer Street
Chatsworth, CA 91311
Tel +1 800 423 5483
Tel +1 818 701 2750
Fax +1 818 701 2799
customer@te.com

TE.com/sensorsolutions

Measurement Specialties, Inc., a TE Connectivity company.

Measurement Specialties, TE Connectivity, TE Connectivity (logo) and EVERY CONNECTION COUNTS are trademarks. All other logos, products and/or company names referred to herein might be trademarks of their respective owners.

The information given herein, including drawings, illustrations and schematics which are intended for illustration purposes only, is believed to be reliable. However, TE Connectivity makes no warranties as to its accuracy or completeness and disclaims any liability in connection with its use. TE Connectivity's obligations shall only be as set forth in TE Connectivity's Standard Terms and Conditions of Sale for this product and in no case will TE Connectivity be liable for any incidental, indirect or consequential damages arising out of the sale, resale, use or misuse of the product. Users of TE Connectivity products should make their own evaluation to determine the suitability of each such product for the specific application.

© 2015 TE Connectivity Ltd. family of companies All Rights Reserved.

PT8600 12/01/2015