

Undercurrent alarm

With external sensor, Undercurrent alarm, corresponding type to high current, 0.5A ~ 20A programmable system

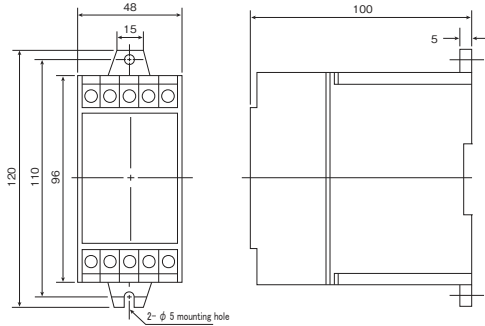


Model CRY-CLX

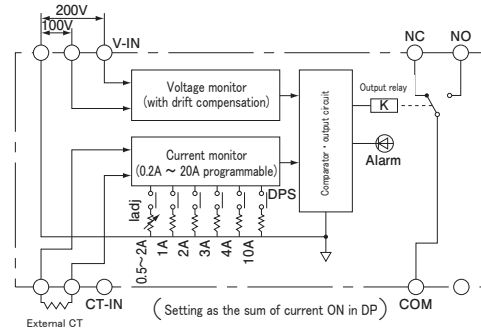
[Feature]

- At the time of lack of current but existing voltage, system to decide as disconnection (unsupported for cycle control)
- With unnecessary structure for external control power supply, corresponding type to small current with external sensor
- Possible to share power supply with 100V/200V tap
- Possible to set with 0.5A ~ 20A programmable system for operating point
- There is LED for operating display, so easy to set operating point
- Alarm output is 1 transfer contact without voltage.
- External CT type compatible with standard product build in CT (CRY-DP)

[Outline drawing]



[Connection]



[Specification] Ta=25°C

Model	CRY-CLX
Power supply	Common use of AC100V/200V, 50/60Hz (Choice of voltage terminal)
Set up current	0.5A ~ 20A (Possible to set as the sum of current ON in 6 bits DPS)
Accuracy	Set up current $\pm 5\%$
Accessory current sensor	CTL-12-S30-10Z (max primary current 250A continuous) with receptacle
Operational hysteresis range	Recovery with set up current +5%
Power supply voltage compensation	Compensation operating point proportional to power supply voltage change ($\pm 10\%$)
Output specification	Relay contact output (AC125V/0.5A, DC24V/1A $\cos \phi = 1$)
Response time	$\leq 100\text{ms}$ (In case of set up current more than 50% of actual load)
Operating temperature	$-10^\circ\text{C} \sim +50^\circ\text{C}$, no condensation
Screw torque	M4 : 0.7N · m, M3 : 0.3N · m
Mass	Body approximately 220g, accessory CT approximately 55g

[Remark]

- (1) Possible to set operating point roughly by 1A step in the range of 1A ~ 20A with dip switch
- (2) For detail setting of partial disconnection, please use dip switch of Iadj (0.5A ~ 2A) together
- (3) For setting operating point in the status of actual operation, it will be stable operation with enough margin, by the value of around -10% of set up current as LED on of front panel.
- (4) In the case to apply split sensor, possible to correspond with CTL-16-CLS-1000 turns (corresponding as build to order manufacturing).
- (5) For corresponding to thick wire, compatible characteristic with same current ratio large aperture sensor (CTL-24-S28-10Z)
- (6) For 3 phase load, please use 2 sets of Undercurrent alarm between (R-S) and (S-T) in principle
- (7) **Circuit is power supply non isolation system. Don't earth CT terminal absolutely.**
- (8) Impossible to use for secondary of inverter
- (9) For sine wave current. Operating point to be changed by distorted current waveform
- (10) No function of self-holding