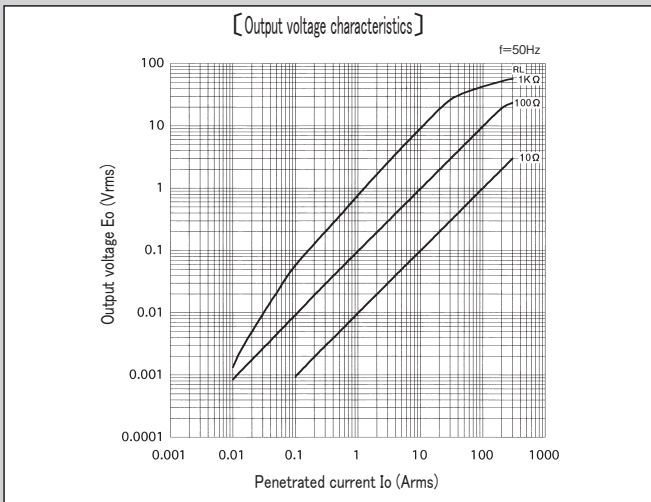
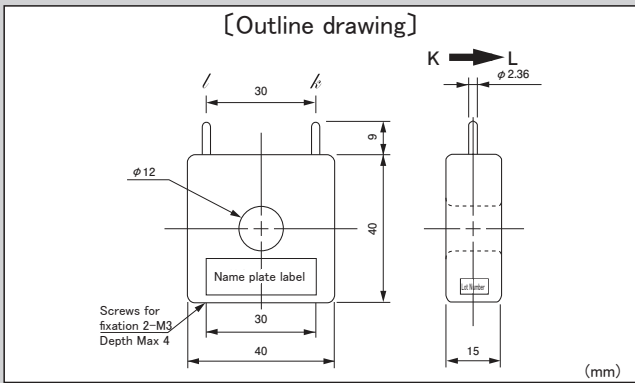


Medium size enlarged capacity AC current sensor for both of PCB and panel mounting



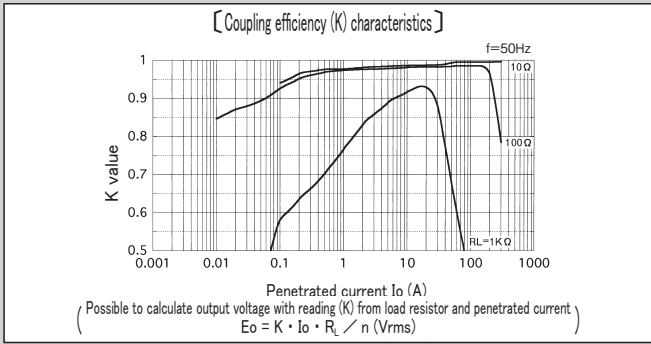
Model CTL-12-S56-10

- [Features]**
- Enlarged capacity model for primary current 300A max and saturated current 600A with wider section of core, and same winding wire turn as standard model (CTL-12-S36-10) of $\phi 12$ aperture diameter
 - Possible to use as upper level model of same electrical specification as standard model with current ratio of 1000:1
 - Compatible to standard model with same shape and dimension
 - Output terminal of round pins ($\phi 2.36 \times 9\text{L}$) and robust structure. Possible to correspond to soldering to wire and connector set sold separately
 - Prepared mounting bracket sold separately (HLD-12) for panel mounting



[Specification] Ta=25°C

Model	CTL-12-S56-10
Primary current	0.1 ~ 300Arms (50 / 60Hz)、 $R_L \leq 10\Omega$
Maximum primary current	220Arms continuous
Saturation limited current	600Arms (50 / 60Hz)、 $R_L \leq 1\Omega$
Output characteristics	Refer "Output voltage characteristics"
Linearity	Refer "Coupling efficiency [K] characteristics" (Use the flat range of [K] characteristic in the application as the linear sensor)
Secondary windings (n)	1000 ± 2 turn
Secondary windings resistance	40Ω (reference)
Withstand voltage	AC2000V(50/60Hz), 1min(between aperture and output terminal in a lump)
Insulation resistance	DC500V, $\geq 100M\Omega$ (between aperture and output terminal in a lump)
Operating temperature	-20°C ~ +75°C, $\leq 80\%RH$, no condensation
Storage temperature	-30°C ~ +90°C, $\leq 80\%RH$, no condensation
Structure	PBT plastic case, potted by epoxy on one side
Output terminal	$\phi 2.36 \times 9\text{L}$ (round pins), tin plating
Screw torque	0.3N · m
Mass	approximately 68g



- Remark**
- (1) Output voltage is changed by the penetrated current/load resistor/[K] characteristic and so on. Please set up the condition for use with careful investigation of each characteristic
 - (2) Please use with enough margin if the range of coupling efficiency [K] ≤ 0.9 , because it is the range to happen the individual difference.
 - (3) Opening the secondary during turn ON is hazardous and the cause of failure, because of generating high voltage
 - (4) Please surely ask to our technical consulting service, if the power measurement is thought.
 - (5) Please be careful of CT heating in case to use with high frequency, although this CT is basically used at 50/60Hz.
 - (6) Please refer Appendix-1 accessories list for accessories

