

CT standard CT for wide frequency bandwidth -10Hz ~ 15MHz-

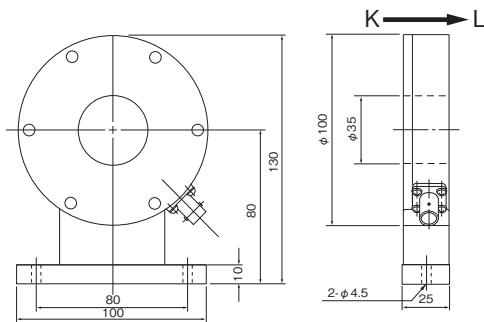


Model CTL-35-S162-5F-1R10

[Features]

- Main application for current monitoring of power supply of sputtering (13.56MHz)
- Corresponding to wide frequency bandwidth of 10Hz~15MHz. Possible to use as standard CT
- Suitable to standard current sensor for test and research
- Excellent noise resistance by inserting into aluminum case
- Suitable to wave monitoring by oscilloscope, because output is BNC connector voltage output type

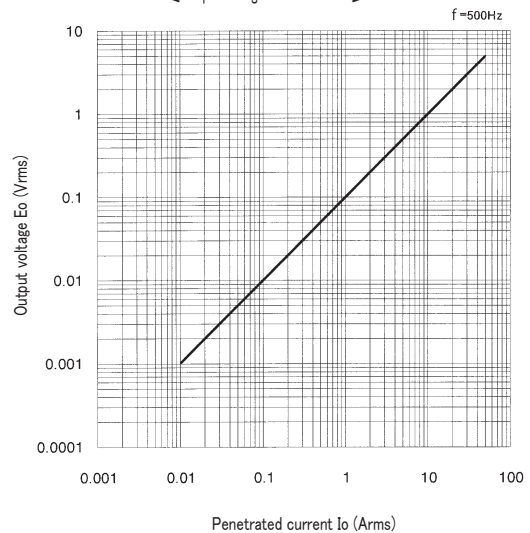
[Outline drawing]



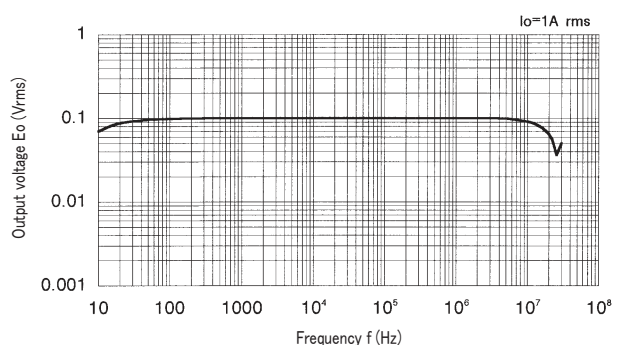
[Specification] Ta=25°C

Model	CTL-35-S162-5F-1R10
Primary current	0.01 ~ 50Arms
Frequency	10Hz ~ 15MHz (-3dB bandwidth)
Output sensitivity	0.1V / A ± 3% (100kHz)、RL=1MΩ 0.05V / A ± 3% (100kHz)、RL=50Ω
Linearity	± 3%FS
Output impedance	50Ω
Operating temperature	-10°C ~ +75°C
Storage temperature	-20°C ~ +85°C
Structure	Aluminum case, common frame ground (isolated structure between mounting foot and case)
Output connector	BNC-R
Screw torque	0.7N · m
Mass	approximately 600g

[Output voltage characteristics]



[Frequency characteristics]



Remark

- (1) Although isolated between mounting foot and case, common ground between case and BNC-R connector
- (2) Isolate the measuring object if the isolated measurement is necessary