

Split core clamp type sensor

Large size clamp type AC current sensor for power equipment ($\phi 36 / 500\text{Arms}$)

仕様書参照

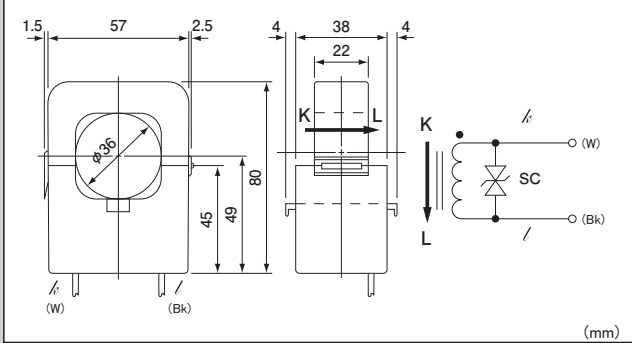


Model CTL-36-CLS

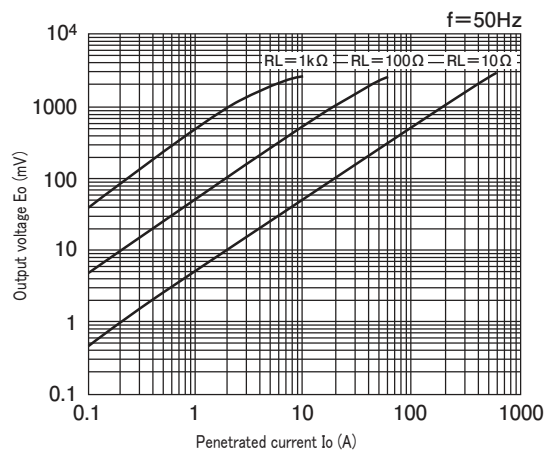
[Features]

- Large size, high current CT corresponding to the wire until $\phi 36$
 - Nylon spring, one touch clamp type for easy mounting to existing equipment such as panel board
 - Corresponding to wide range current of 0.1~500A
 - Built in over voltage clamped device
- ※ Possible to correspond to 1A output CT more than current ratio 100:1 as OEM treatment (Conference separately for corresponding to OEM model)

[Outline drawing]



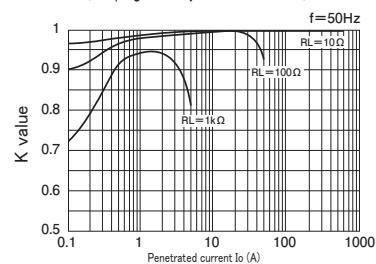
[Output voltage characteristics]



[Specification] Ta=25°C

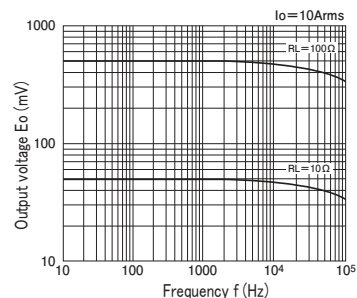
Model	CTL-36-CLS
Primary current	0.1 ~ 500Arms (50 / 60Hz)、 $R_L \leq 5 \Omega$
Maximum primary current	600Arms continuous
Output characteristics	1250mV $\pm 2\%$ / 500A (50/60Hz, $R_L = 5 \Omega$, $T_a = 25^\circ\text{C}$)
Linearity	$\pm 1\%$ FS / 500A (50/60Hz, $R_L = 5 \Omega$, $T_a = 25^\circ\text{C}$)
Current ratio	2000 : 1
Secondary windings resistance	33 Ω (reference)
Open circuit protection	Built in 3.0Vp clamped device
Withstand voltage	AC2000V(50/60Hz), 1min (between core and output wire end in a lump)
Insulation resistance	DC500V, $\geq 100M \Omega$ (between core and output wire end in a lump)
Operating temperature	$-10^\circ\text{C} \sim +50^\circ\text{C}$, $\leq 80\%$ RH, no condensation, for indoor assembly, free direction for setting
Storage temperature	$-30^\circ\text{C} \sim +90^\circ\text{C}$, $\leq 80\%$ RH, no condensation
Structure	Nylon case simple closing type Nylon hinge and spring method
Fitting repeatability	≈ 100 times
Output wire	UL1007 Vinyl wire(AWG18X150L)
Mass	approximately 300g

[Coupling efficiency (K) characteristics]



(Possible to calculate output voltage with reading (K) from load resistor and penetrated current)
 $E_o = K \cdot I_o \cdot R_L / n$ (Vrms)

[Frequency characteristics]



Remark (1) Although core joint surface is protected from rust, in the case of rusting, possible to be recovered by removal of rust with CRC-556 (goods on the market) and paint it again.
 (2) No tension to wire more than 1kg
 (3) In the contents of product specification, inspection, and so on, it is based on the measurement in conditions of standard temperature, humidity, and no abnormality and no vibration, in the case of no special description.
 (4) Impossible to use in outdoor exposure.
 (5) Though voltage clamped $\pm 7.5\text{Vp}$ with open protection device in the case of wiring during hot line condition accidentally, it is not the acceptance of wiring during open condition, but it is for secondary electrical shock protection.
 (6) Please be careful of CT heating in case to use with high frequency, although this CT is basically used at 50/60Hz.