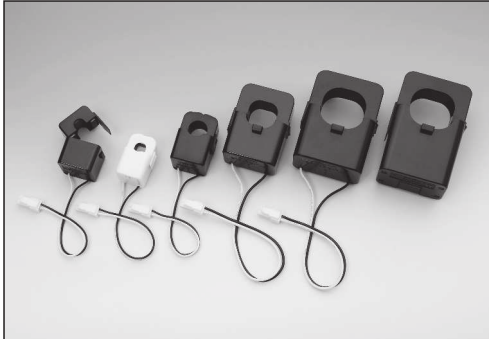


Clamp type AC current sensor ($\phi 8 \sim \phi 36 / 5 \sim 600\text{Arms}$)

AC current sensor

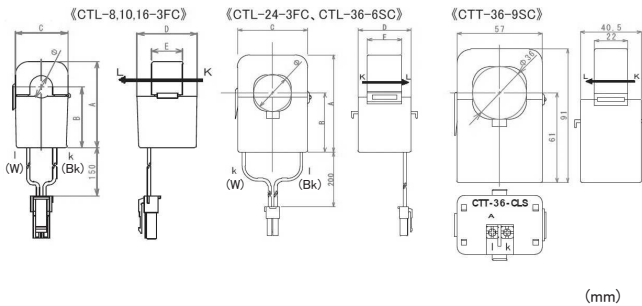


Model CTL-8-3FC、CTL-10-3FC、CTL-16-3FC、
CTL-24-3FC、CTL-36-6SC、CTT-36-9SC

[Features]

- Sprit type for easy assembly to established panel
- High current ratio corresponding to 5A ~ 600A
- Build in over voltage clamping device
- Possible to interface to system directly such as each type of energy saving enabled device, overload protector, and so on

[Outline drawing]



Model	Dimension					
	A	B	C	D	E	ϕ
CTL-8-3FC	38.5	27	29.5	31	19.5	8
CTL-10-3FC	38.5	27	23	26	13.5	10
CTL-16-3FC	44.5	30	29	31	18.5	16
CTL-24-3FC	64	39	45	34	22	24
CTL-36-6SC	80	49	57	38	22	36

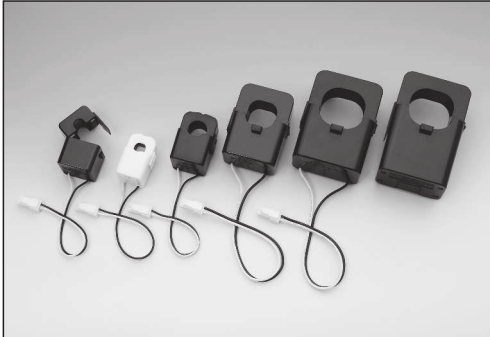
(mm)

[Specification] $T_a=25^\circ\text{C}$

Model	CTL-8-3FC	CTL-10-3FC	CTL-16-3FC	CTL-24-3FC
Primary current	0.01~100Arms, $R_L \leq 10\Omega$	0.01~80Arms, $R_L \leq 10\Omega$	0.01~120Arms, $R_L \leq 10\Omega$	0.01~240Arms, $R_L \leq 10\Omega$
Maximum primary current	300Arms continuous	120Arms continuous	300Arms continuous	300Arms continuous
Output characteristics	250mV $\pm 1\%$ /5A ($R_L=150\Omega$)	1000mV $\pm 1\%$ /50A ($R_L=60\Omega$)	2000mV $\pm 1\%$ /100A ($R_L=60\Omega$)	2000mV $\pm 1\%$ /200A ($R_L=30\Omega$)
Linearity	$\pm 1\%$ FS/5A ($R_L=150\Omega$)	$\pm 1\%$ FS/50A ($R_L=60\Omega$)	$\pm 1\%$ FS/100A ($R_L=60\Omega$)	$\pm 1\%$ FS/200A ($R_L=30\Omega$)
Current ratio	3000 : 1	3000 : 1	3000 : 1	3000 : 1
Secondary windings resistance	280 Ω (Reference)	400 Ω (Reference)	280 Ω (Reference)	170 Ω (Reference)
Open circuit protection	Built in 7.5Vp clamped device			
Withstand voltage	AC2000V(50/60Hz), 1min(between core and output terminal in a lump)			
Insulation resistance	DC500V, $\geq 100M\Omega$ (between core and output terminal in a lump)			
Operating temperature	$-20^\circ\text{C} \sim +50^\circ\text{C}$, $\leq 80\%$, no condensation, for indoor assembly, free direction for setting			
Storage temperature	$-30^\circ\text{C} \sim +90^\circ\text{C}$, $\leq 80\%$, no condensation			
Structure	Nylon case simple closing type Ferrite core in case with clamping structure, Nylon hinge and spring method			
Fitting repeatability	≈ 100 times			
Output terminal	-			
Output wire	UL1007 Vinyl wire (AWG22X150L)			UL1007 Vinyl wire (AWG18X200L)
Output connector	Socket contact : SSF-21T-P1.4, Plug housing : SLP-02V (JST)			
Mating connector	Pin contact : SSM-21T-P1.4, Receptacle housing : SLR-02VF (JST) (Not included)			
Screw torque	-			
Mass	Approximately 60g	Approximately 40g	Approximately 70g	Approximately 140g

- Remark (1) There is breakage of ferrite core inside with shocking force to the contact face(8, 10, 16, 24 type)
 (2) Although core joint surface is protected from rust, in the case of rusting, possible to be recovered by removal of rust with CRC-556 (goods on the market) and paint it again. (36 type)
 (3) Please use dedicated ones for the screws mounted on the output terminal (CTT-36-9SC type)
 (4) Please be careful not to open the secondary of CT, because of occurring high voltage as the cause for electrical shock and failure. Open protection device is for protection in the case of wiring hot line, and it is not the acceptance of secondary open.
 (5) Please be careful of CT heating in case to use with high frequency, although this CT is basically used at 50/60Hz. (36 type)

Clamp type AC current sensor ($\phi 8 \sim \phi 36 / 5 \sim 600\text{Arms}$)

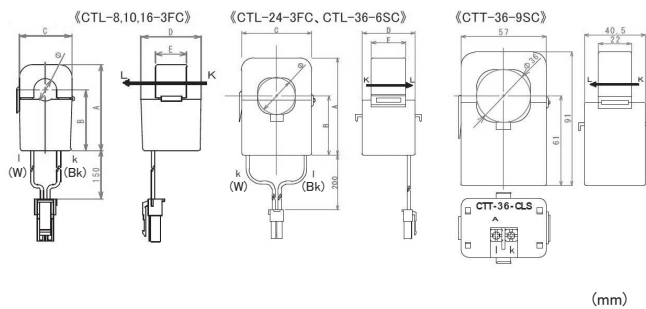


Model	CTL-8-3FC、CTL-10-3FC、CTL-16-3FC、 CTL-24-3FC、CTL-36-6SC、CTT-36-9SC
--------------	--

- [Features]**
- Sprit type for easy assembly to established panel
 - High current ratio corresponding to 5A ~ 600A
 - Build in over voltage clamping device
 - Possible to interface to system directly such as each type of energy saving enabled device, overload protector, and so on

AC current sensor

[Outline drawing]



Model	Dimension					
	A	B	C	D	E	ϕ
CTL-8-3FC	38.5	27	29.5	31	19.5	8
CTL-10-3FC	38.5	27	23	26	13.5	10
CTL-16-3FC	44.5	30	29	31	18.5	16
CTL-24-3FC	64	39	45	34	22	24
CTL-36-6SC	80	49	57	38	22	36

[Specification] Ta=25°C

Model	CTL-36-6SC	CTT-36-9SC
Primary current	0.1~450Arms、 $R_L \leq 10 \Omega$	0.1~600Arms、 $R_L \leq 30 \Omega$
Maximum primary current	500Arms continuous	720Arms continuous
Output characteristics	2000mV $\pm 1\%$ / 400A ($R_L = 30 \Omega$)	2000mV $\pm 1\%$ / 600A ($R_L = 30 \Omega$)
Linearity	$\pm 1\%$ FS/400A ($R_L = 30 \Omega$)	$\pm 1\%$ FS/600A ($R_L = 30 \Omega$)
Current ratio	6000 : 1	9000 : 1
Secondary windings resistance	350 Ω (Reference)	580 Ω (Reference)
Open circuit protection	Built in 7.5Vp clamped device	
Withstand voltage	AC2000V(50/60Hz), 1min(between core and output terminal in a lump)	
Insulation resistance	DC500V, $\geq 100M \Omega$ (between core and output terminal in a lump)	
Operating temperature	-20°C ~ +50°C, $\leq 80\%$, no condensation, for indoor assembly, free direction for setting	
Storage temperature	-30°C ~ +90°C, $\leq 80\%$, no condensation	
Structure	Nylon case simple closing type Nylon hinge and spring method	
Fitting repeatability	≈ 100 times	
Output terminal	—	2XM3 screw terminal with terminal cover
Output wire	UL1007 Vinyl wire (AWG18X200L)	—
Output connector	Socket contact : SSF-21T-P1.4 Plug housing : SLP-02V (JST)	—
Mating connector	Pin contact : SSM-21T-P1.4 Receptacle housing : SLR-02VF (JST) (Not included)	—
Screw torque	—	0.3N · m
Mass	Approximately 260g	Approximately 320g

- Remark
- (1) There is breakage of ferrite core inside with shocking force to the contact face(8, 10, 16, 24 type)
 - (2) Although core joint surface is protected from rust, in the case of rusting, possible to be recovered by removal of rust with CRC-556 (goods on the market) and paint it again. (36 type)
 - (3) Please use dedicated ones for the screws mounted on the output terminal (CTT-36-9SC type)
 - (4) Please be careful not to open the secondary of CT, because of occurring high voltage as the cause for electrical shock and failure. Open protection device is for protection in the case of wiring hot line, and it is not the acceptance of secondary open.
 - (5) Please be careful of CT heating in case to use with high frequency, although this CT is basically used at 50/60Hz. (36 type)