

Clamp type current flow detection module (transistor output type)

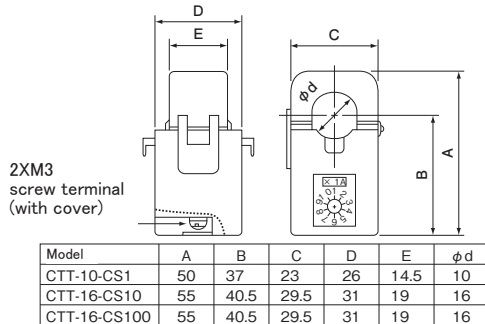


Model CTT-CS series

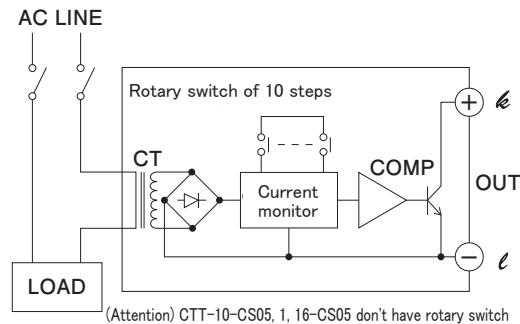
[Feature]

- All in one structure to integrate the current flowing detection circuit into clamp type AC current sensor
- Without power supply but with only clamping to conducted wire, earning the current flowing detection signal
- Standardized 3 types as, fixed 0.5&1A operating point of high sensitivity type, 1A ~ 10A, and 10A ~ 100A of operating point setting type
- Corresponding to small current below nominal 0.5, 1A by the sensitivity to be (n) times with (n) turning detection current into sensor
- Only for 50Hz/60Hz sine wave (Operating point to be changed in the case of waveform distortion)

[Outline drawing]



[Connection]



[Specification] Ta=25°C

Model	CTT-10-CS05	CTT-16-CS05	CTT-10-CS1	CTT-16-CS10	CTT-16-CS100
Set up current	0.5A fixed	0.5A fixed	1A fixed	1 ~ 10A (Possible to set 1A step)	10 ~ 100A (Possible to set 10A step)
Accuracy	0.4 ± 0.1A	0.5 ± 0.1A	0.9 ± 0.1A	Set up current ± 5%	
Over current strength	120A (continuous)		120A (continuous)	150A (continuous)/300A(1s)	
Operational hysteresis range	Output OFF with about -10% of set up current		Output OFF with about -10% of set up current	Output OFF with about -5% of set up current	
ON delay	0.3s / 0→0.5A ~ 0.05s / 0→more than 2A (typ)	1.4s / 0→0.6A ~ 0.7s / 0→more than 1A (typ)	0.2s / 0→1.2A ~ 0.05s / 0→more than 2A (typ)	0.2s / 0→120% (typ)	
OFF delay	0.2s / 0.5A→0 ~ 0.6s / more than 2A→0 (typ)	0.1s / 0.6A→0 ~ 0.3s / 1A→0 (typ)	0.2s / 1.2A→0 ~ 0.3s / more than 2A→0 (typ)	0.2s以下 / 120%→0	
Output specification	Emitter to ground, open collector output (MAX DC30V/30mA)				
Withstand voltage	AC2000V(50/60Hz), 1min(Core-output terminal in a lump)				
Insulation resistance	DC500V, ≥100MΩ (Core-output terminal in a lump)				
Operating temperature	-20°C ~ +50°C, ≤85%RH, no condensation, for indoor assembly, free direction for setting				
Storage temperature	-30°C ~ +90°C, ≤85%RH, no condensation				
Structure	Nylon case simple closing type, Nylon hinge and spring method				
Fitting repeatability	≈100 times				
Output connector	2XM3 screw terminal with terminal cover				
Screw torque	0.3N · m				
Mass	approximately 45g	approximately 75g	approximately 45g	approximately 75g	

[Remark]

- (1) Only for 50Hz/60Hz sine wave. Operating point and recovery current to be changed by waveform in the case of no sine wave current (condenser input wave, phase control wave, and so on)
- (2) There is breakage of ferrite core inside with shocking force to the contact face
- (3) Please use dedicated ones for the screws mounted on the output terminal
- (4) In the contents of product specification, inspection, and so on, it is based on the measurement in conditions of standard temperature, humidity, and no abnormality and no vibration, in the case of no special description. It is not guarantee all specifications in the operating temperature and all condition range.
- (5) Impossible to use in outdoor exposure
- (6) No function of self-holding