

Small AC no power supply current relay (transistor output)

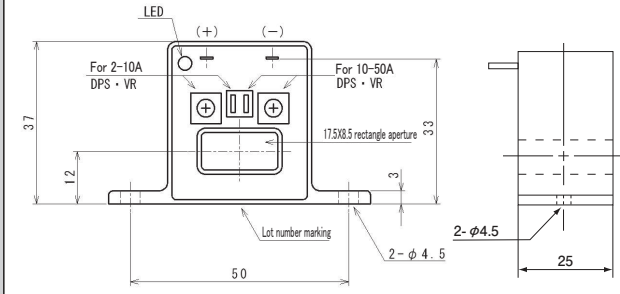


Model CTU-8-CS50

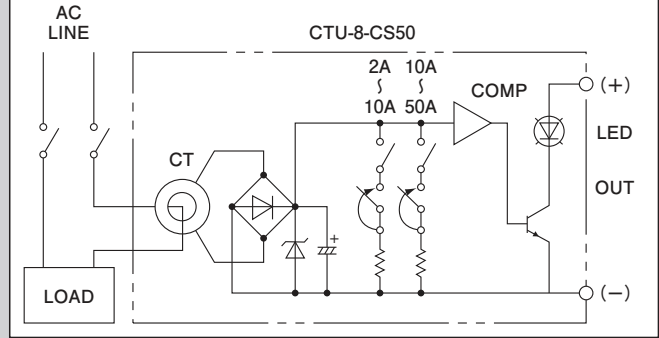
[Feature]

- All in one structure to package AC current sensor and leakage detection circuit
- Without power supply but with penetration of electrical wire into aperture, earning the open collector output
- Possible to set up operating point with 2A ~ 10A/10A ~ 50A range switch and setting trimmer
- Correctly operating with over current in the range not exceed 200A
- Only for 50Hz/60Hz sine wave (Operating point to be changed in the case of waveform distortion)

[Outline drawing]



[Connection]



[Specification] Ta=25°C

Model	CTU-8-CS50
Low current range	DPS (left: ON, right: OFF), trimmer (left) clockwise: 2A→10A <sub>AC</sub>
High current range	DPS (left: OFF, right: ON), trimmer (left) clockwise: 10A→50A <sub>AC</sub>
Over current strength	200A (continuous)
Operational hysteresis range	Output OFF with set up current -5%
ON delay	0.2s / 0→50A ~ 0.5s / 0→2A (typ)
OFF delay	0.05s / 50A→0 ~ 0.1s / 2A→0 (typ)
Output specification	Emitter to ground, open collector output (MAX DC60V/25mA)
Operation display	With contacting DC load to output, display by LED
Withstand voltage	AC2000V(50/60Hz), 1min (Aperture-output terminal in a lump)
Operating temperature	-20°C ~ +60°C, ≤80%RH, no condensation
Output terminal	2.8 X 0.5 X 5.0 terminal
Screw torque	0.7N · m
Mass	approximately 65g

[Remark]

- (1) In the case to operate with small current less than 2A, current sensitivity to be N times with N turns of detected wire into the aperture of module
- (2) In the case to set the operating point with actual load, convenient to calibrate the setting trimmer with checking LED display by connecting relay and resistor for operating to output
- (3) In the case to shorten ON delay, please use as high as possible for operating current setting, by N turns of detected wire
- (4) Recommend soldering for mounting
- (5) No function of self-holding

Alarm equipment